

# 光伏2转1 YH型线束光伏连接器

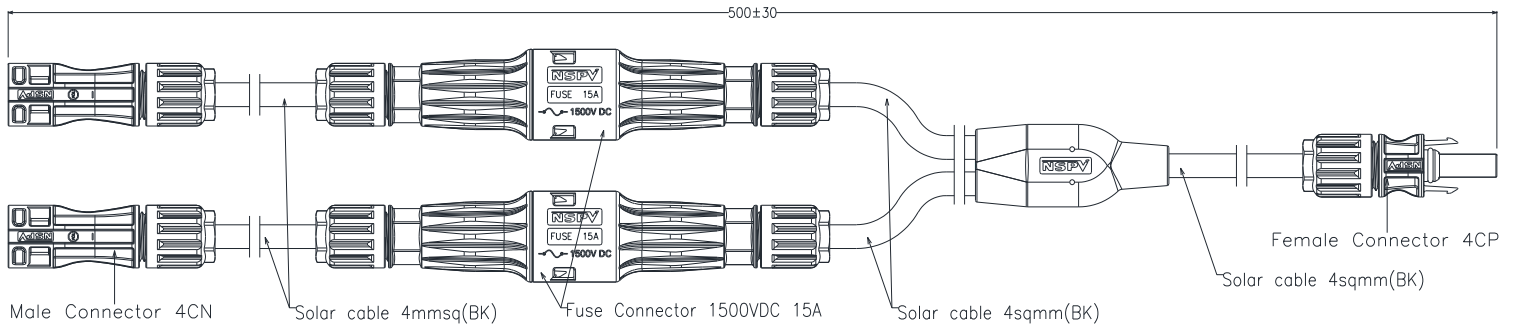
## PV 2 to1 YH Type Cable Assembly With Solar Connector

**产品规格**  
**Product Specifications**

|   |                           |   |  |
|---|---------------------------|---|--|
| 绝缘材料<br>Insulation material                   | PPE/TPE/PA                | 安全等级<br>Safety degree                   | II                                       |
| 额定电压<br>Rated voltage                         | 1500VDC                   | 阻燃等级<br>Flame class                     | UL94-V0                                  |
| 额定脉冲电压<br>Rated Impulse voltage               | 12KV                      | 安装方式<br>Installation type               | 户外, 抗紫外线(F1)<br>Outdoor,UV resistant(F1) |
| 测试电压<br>Test voltage                          | 8kV(50Hz,1min)            | 环境温度范围<br>Ambient temperature range     | -40°C...+85°C(IEC)                       |
| 连接器接触电阻<br>contact resistance                 | ≤ 0.25 mΩ                 | 适配电线规格<br>Suitable cable cross sections | 1.5~10mm <sup>2</sup> /16~8AWG           |
| 金属导体材料<br>Contact material                    | 铜,镀锡<br>Copper,Tin plated | 连接方式<br>Connecting system               | 压接<br>Crimp connection                   |
| 保护等级<br>Degree of protection                  | IP68(1m,1H)               | 温度上限<br>Upper limiting temperature      | 110°C(IEC)                               |
| 过压等级<br>Overvoltage category/Pollution degree | CATIII/2                  | 额定脉冲电压<br>Rated Impulse voltage         | 16kV                                     |
| 符合标准<br>Regulatory approval                   | TUV/CE(IEC62852:2014)     |   |  |

**图示:**  
**Drawing:**

**YSSB44-003**



**YSSB44-004**

